



HORSTMANN

# MASTERPACK WIRING INSTRUCTIONS FOR CONVENTIONAL HOT WATER AND CENTRAL HEATING SYSTEMS

The following diagrams are intended as a guide to wiring up Masterpack components using the Horstmann WC1 wiring centre.

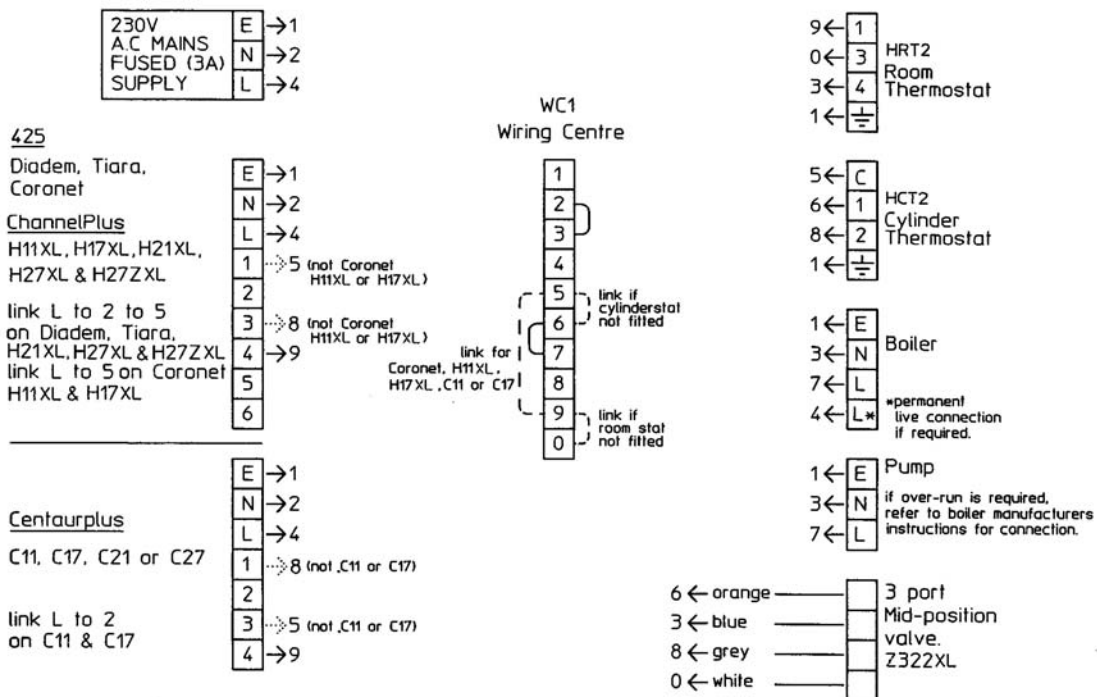
They should only be used in conjunction with the detailed installation instructions included with each individual component.

The links shown are not present with the supplied wiring centre and must be fitted during installation.

The separate two way connector block included in the wiring centre is spare and can be used for extra terminations as required. However, when using it to terminate earth or neutral conductors continuity with the relevant mains supply conductors must be maintained i.e. a link will need to be fitted.

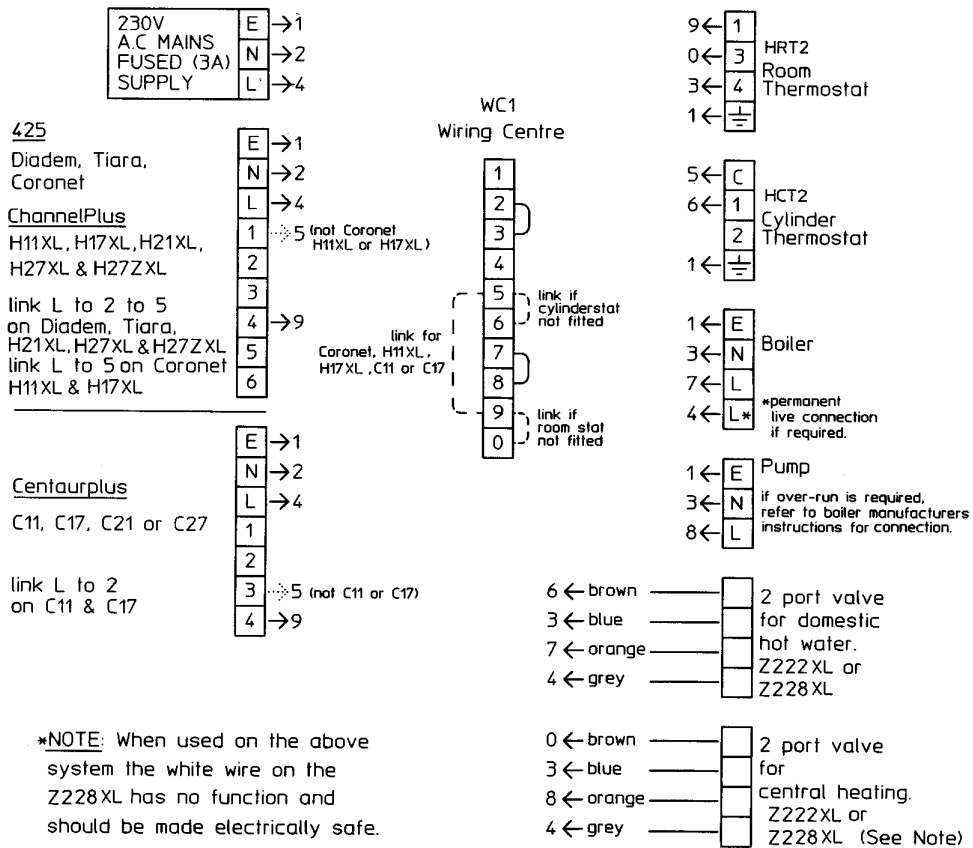
Please ensure that all connections to the WC1 wiring centre are securely clamped using the cable clamps provided.

Wiring connections for Masterpacks containing 3-port Mid-position valve Z322XL



Note: - ChannelPlus Programmers do not require an Earth connection. Therefore if mains Earth is connected to terminal 1 on the WC1 wiring centre, the Earth terminal on the backplate does not need to be connected.

Wiring connections for Masterpacks containing two 2-port Zone Valves. Z222XL or Z228XL



Wiring connections for Masterpacks containing one 2-port zone valve (28mm) with change-over end switch for use on gravity systems.

